

DISCOVER OUR

# MICRO

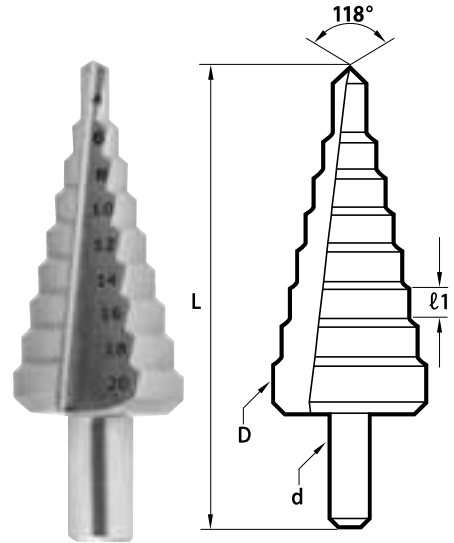


TECHNICAL DETAILS

**Material** Hardness 63 HRC for the machining of steels up to 800 N/mm<sup>2</sup>  
Copper, brass, bronze, aluminum up to 6% Si  
Straight flute

**Series** M02 - metric

**Use** Machine



CROMSON M0202	Diam.	Capacity	L	l1	d
77100400	12	4.5.6.7.8.9.10.11.12	79	5	6
77100410	20	4.6.8.10.12.14.16.18.20	67	3	8
77100420	30	4.6.8.10.12.14.16.18.20.22.24.26.28.30	100	4	10
77100430	38	6.9.13.16.19.21.23.26.29.32.35.38	100	4	10
77100440	12.20 and 30	Kit includes 77100400 - 77100410 and 77100420			




---

---

---

---

---

---

---

---

---

---

---

---

---

---

---

---

---

---

---

---

---

---

---

---

---

---